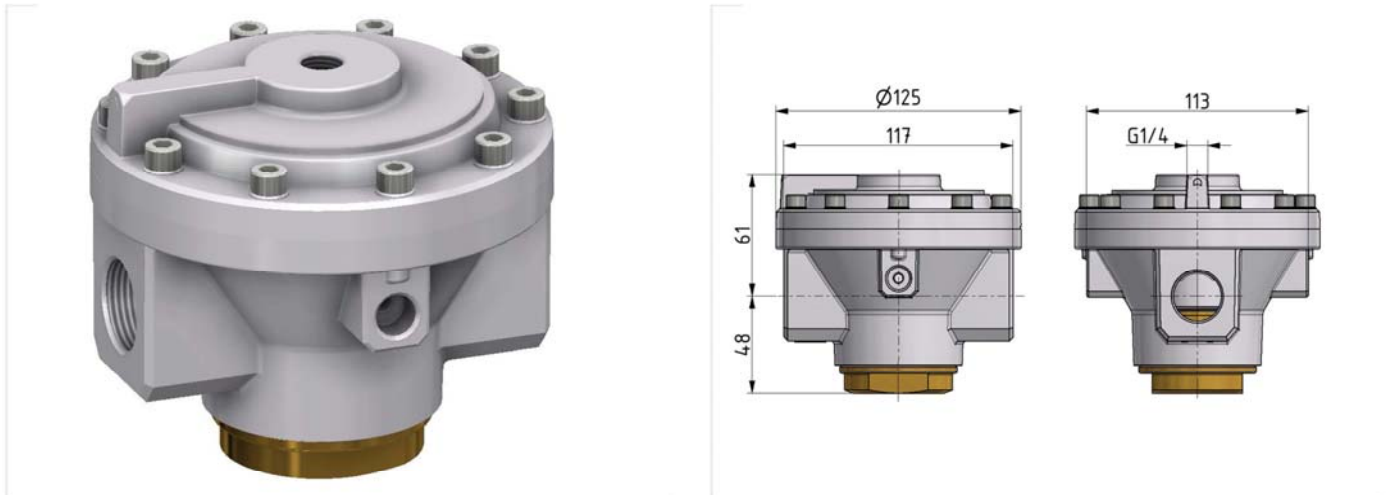


Pressure-regulator of the Standard series

Pressure regulator G3/4 pneumatic pilot operated (G1/4), new edition

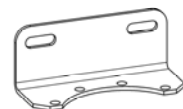


series	port size	flow rate	adjustment range P2 max.	weight
Standard	G 3/4	15000 l/min	20 bar	2.161 kg

technical data

- **description:** air line regulator with diaphragm and relieving feature, pneumatic pilot-operated (1:1)
- **medium:** compressed air, neutral gases
- **supply pressure P1 max.:** 40 bar
- **temperature range:** -10°C - +80°C

accessories



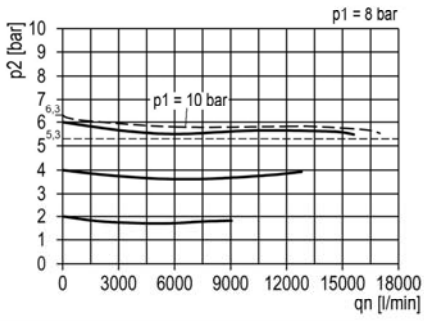
- mounting bracket: .
Art. No. 100845 - Type No. H 86

Pressure regulators with pneumatic remote control

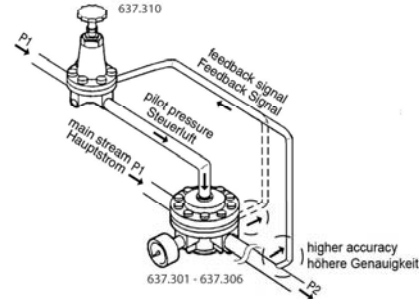
Art. No. 101253 - Type No. 637.302



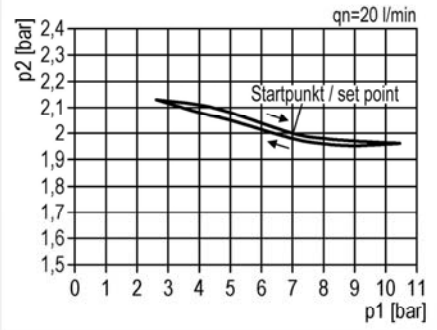
flow characteristic



operating conditions



pressure characteristic



symbol

